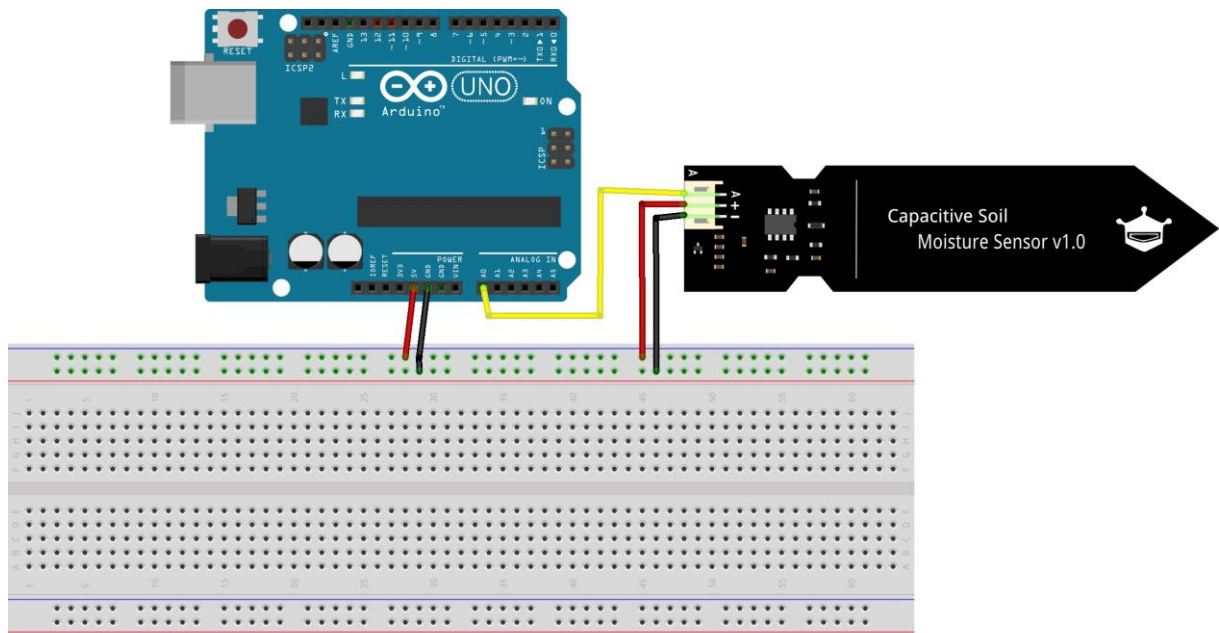


Montažna skica:



fritzing

Primjer koda:

```
int razinaVlage = A0;
```

```
float razina = 0;
```

```
void setup() {  
  Serial.begin(9600);  
}
```

```
void loop() {  
  razinaVlage=analogRead(A0);  
  Serial.println(razinaVlage);  
  delay(100);  
}
```